



 **Strand**

# WALLRACK SERIES

USER MANUAL

## Offices and Service Centres

The material in this manual is for information purposes only and is subject to change without notice. Strand Lighting assumes no responsibility for any errors or omissions which may appear in this manual. For comments and suggestions regarding corrections and/or updates to this manual, please contact your nearest Strand Lighting office.

El contenido de este manual es solamente para información y está sujeto a cambios sin previo aviso. Strand Lighting no asume responsabilidad por errores o omisiones que puedan aparecer. Cualquier comentario, sugerencia o corrección con respecto a este manual, favor de dirigirlo a la oficina de Strand Lighting más cercana.

Der Inhalt dieses Handbuches ist nur für Informationszwecke gedacht, Aenderungen sind vorbehalten. Strand Lighting uebernimmt keine Verantwortung für Fehler oder Irrtuemer, die in diesem Handbuch auftreten. Für Bemerkungen und Verbesserungsvorschlaege oder Vorschlaege in Bezug auf Korrekturen und/oder Aktualisierungen in diesem Handbuch, moechten wir Sie bitten, Kontakt mit der naechsten Strand Lighting-Niederlassung aufzunehmen.

Le matériel décrit dans ce manuel est pour information seulement et est sujet à changements sans préavis. La compagnie Strand Lighting n'assume aucune responsabilité sur toute erreur ou omission inscrite dans ce manuel. Pour tous commentaires ou suggestions concernant des corrections et/ou les mises à jour de ce manuel, veuillez s'il vous plait contacter le bureau de Strand Lighting le plus proche.

Information contained in this document may not be duplicated in full or in part by any person without prior written approval of Strand Lighting. Its sole purpose is to provide the user with detailed operational information for the equipment supplied. The use of this document for all other purposes is specifically prohibited. Certain features of the equipment described in this document may form the subject of patents or patent applications.

## General Information

---

**This equipment operates at voltage levels that are potentially lethal. Do not touch any of the internal parts of the equipment unless you are fully aware of the hazards involved and the precautions to be taken.**

**It is imperative to provide an adequate earth conductor for the rack and load connections. Do not rely on earthing via conduit or trunking.**

The equipment described in this manual is designed and manufactured to comply with international safety standards IEC 950 and is intended for use as part of a lighting control system. It must not be used for other purposes where there is any risk of safety to persons. It is important that installation be carried out in accordance with the instructions given in this manual and in compliance with applicable electrical regulations. The work should be carried out by a suitably qualified electrician.

The system is designed to be permanently installed with supply and load wiring permanently connected.

In the interests of continued safe and reliable operation, observe the following guidelines:

- Keep the equipment at a room temperature of 0-35°C and a relative humidity of 10-95% (non-condensing) during operation. For operation between 35°C and 40°C de-rate the maximum load by 4% per °C.

Do not, under any circumstances, operate the equipment above 40°C or in an environment that may become wet.

- Avoid sudden extremes of temperature, rain, direct sunlight, or other heat sources.
- Make sure that wires and cables are routed sensibly and wired in accordance with local regulations.
- DO NOT drop the equipment or subject it to excessive bumping or jarring.
- DO protect the unit from excessive dust or other contamination.

## Table of Contents

---

|                                 |           |
|---------------------------------|-----------|
| <b>Installation .....</b>       | <b>5</b>  |
| Location .....                  | 5         |
| Ventilation .....               | 5         |
| Weight.....                     | 5         |
| Dimensions .....                | 5         |
| Installation Procedure .....    | 7         |
| Supply Connections .....        | 7         |
| Three Phase .....               | 7         |
| Single Phase.....               | 8         |
| Load Connections .....          | 8         |
| RCD Option.....                 | 10        |
| Control Signal Connections..... | 12        |
| <b>Processor set up.....</b>    | <b>13</b> |
| Main Menu .....                 | 13        |
| Set Level .....                 | 14        |
| Preset.....                     | 15        |
| Address.....                    | 16        |
| Curve .....                     | 17        |
| Set minimum level.....          | 18        |
| Set maximum level.....          | 19        |
| Set up menu.....                | 20        |
| Response Time.....              | 20        |
| DMX Port .....                  | 21        |
| DMX Fail .....                  | 22        |
| Set Signal Call .....           | 23        |
| Version Number.....             | 23        |
| Set Factory Defaults .....      | 23        |
| <b>Triac Replacement .....</b>  | <b>24</b> |

## Installation

---

**Dimmer systems contain potentially hazardous voltages and high temperatures. Installation should only be carried out by suitably qualified personnel, safe working practices observed, and caution exercised at all times. Ensure that all Power supplies are properly isolated before gaining access.**

---

### Location

Any dimmer installation requires careful choice of location. Dimmers should, if possible, be sited close to the lamp loads to minimise cable runs. Although the design of *Wallrack* reduces the radiated noise common to conventional dimmers, it is important to avoid siting in acoustically 'live' positions in the performance area.

The incoming mains distribution should be sited as close to the racks as practicable, and adequately fused isolators provided close to each rack.

**Max rating 80A-3 phase, 160A-single phase(*Wallrack 24x2.5kW*).**

**Max rating 50A-3 phase, 150A-single phase(*Wallrack 6x5kW*).**

**Max rating 20A-3 phase, 60A-single phase(*Wallrack 6x2.5kW*).**

Allow adequate clearance at the front of the dimmer rack, in order for it to be opened for wiring to the load, supply and control terminals and allow safe servicing of the equipment.

---

### Ventilation

Adequate ventilation must be provided to maintain an ambient temperature within the range 0 to 35 C and humidity of 45-95% non-condensing. Special attention should be paid to the need to maintain ambient temperature within these limits when *Wallrack* is enclosed in a small room.

Do not obstruct the ventilation slots.

---

### Weight

|                           | <b>24 x 2.5kW</b> | <b>6 x 5kW</b> | <b>6 x 2.5kW</b> |
|---------------------------|-------------------|----------------|------------------|
| <i>Wallrack</i> :         | 43kg              | 31.4kg         | 15.6kg           |
| <i>Wallrack</i> , packed: | 49kg              | 34.5kg         | 18kg             |

***Wallrack* dimmers are heavy, take care when lifting.**

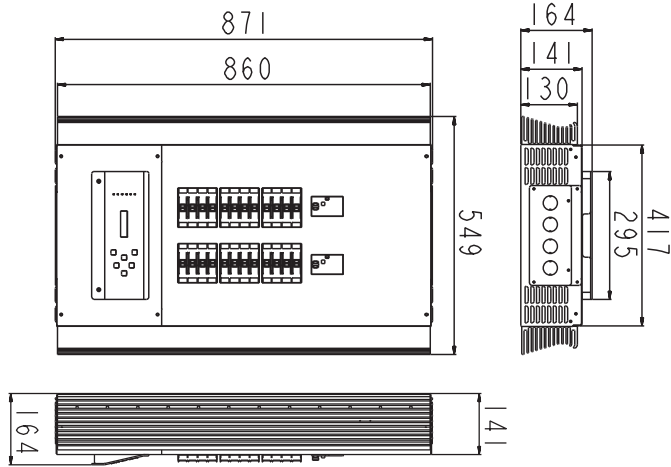
---

### Dimensions

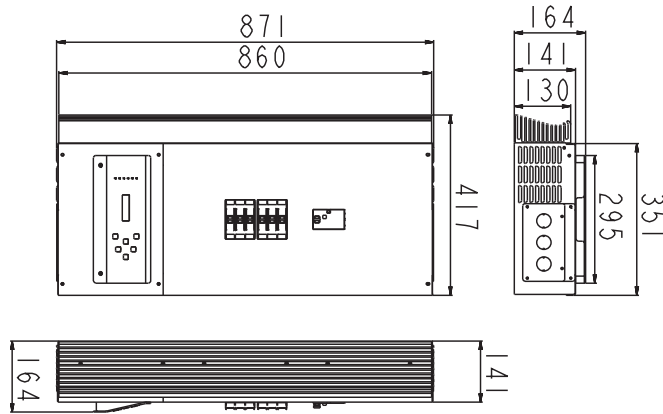
Cable entry dimensions are as follows:

**Power Wiring** Top 4 x 25mm holes suitable for conduit(4x2.5kW *Wallrack*) .  
 Top 3 x 25mm holes suitable for conduit(6x5kW *Wallrack*) .  
 Top 2 x 25mm holes suitable for conduit(6x2.5kW *Wallrack*).

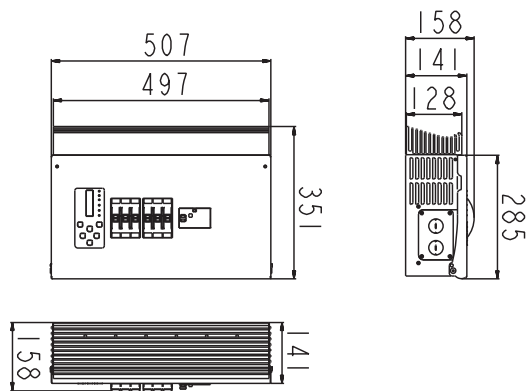
**Control Wiring** Bottom 4 x 25mm holes suitable for conduit(4x2.5kW *Wallrack*) .  
 Bottom 3 x 25mm holes suitable for conduit(6x5kW *Wallrack*) .  
 Bottom 2 x 25mm holes suitable for conduit(6x2.5kW *Wallrack*) .



**Wallrack 24 x 2.5kW**



**Wallrack 6 x 5kW**



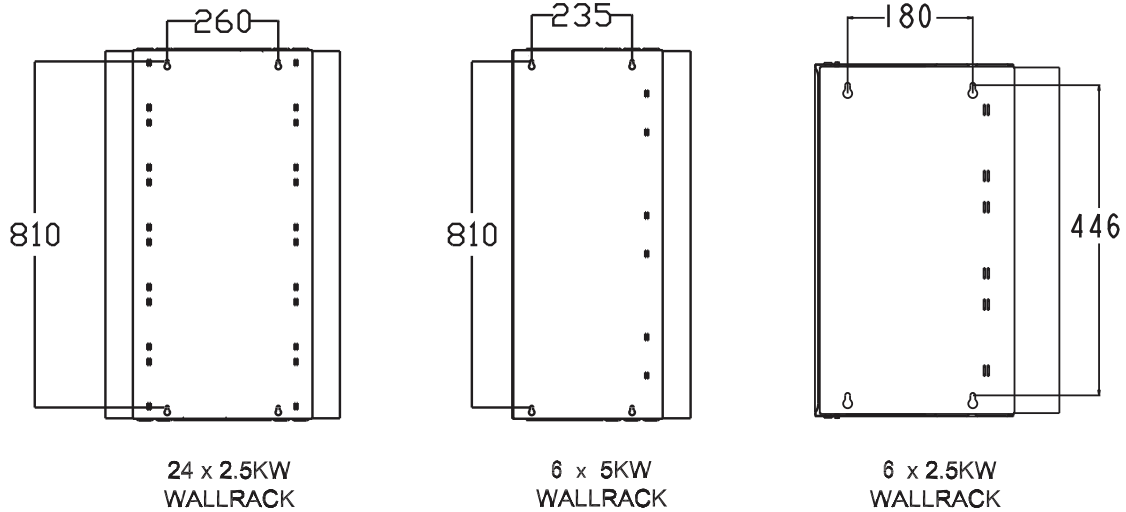
**Wallrack 6 x 2.5kW**

## Installation Procedure

After unpacking the rack, remove the front panel (6 screws) and the Earth leads attached to it.

The rack(s) should be secured to the wall before installation

**Power wiring:** Top  
**Control wiring:** Bottom



## Supply Connections

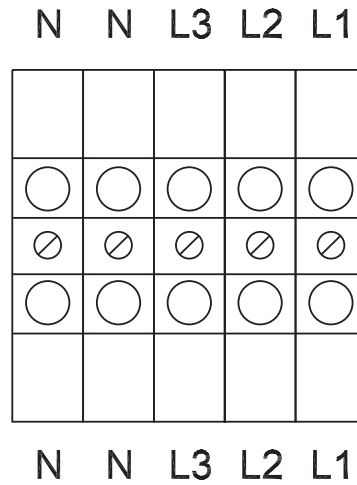
Wallrack s are equipped with terminals for Single or Three phase plus Neutral and Earth connections.

| 24x2.5kW Wallrack  | 6x5kW Wallrack     | 6x2.5 kW Wallrack |
|--------------------|--------------------|-------------------|
| Single Phase: 160A | Single Phase: 150A | Single Phase: 60A |
| Three Phase: 80A   | Three Phase: 50A   | Three Phase: 20A  |

For single phase, there will be an optional single phase kit. The terminals are provided for (2.5kW dimmers are 25 mm<sup>2</sup>, 5kW dimmers are 32mm<sup>2</sup>) wires of the NEUTRAL and PHASE terminals.

### Three Phase

Conductor sizes must be chosen to comply with local regulations and are usually calculated to take into consideration cable lengths and types. Typically, wiring for 3 PHASE LIVE conductors should be 25mm<sup>2</sup> for 2.5kW dimmers and 32mm<sup>2</sup> for 5kW dimmers maximum rack load capacity.



For the NEUTRAL conductor, we recommend a size of at least 2 x phase conductor size to allow for the harmonic currents generated by phase control dimmers.

**Single Phase**

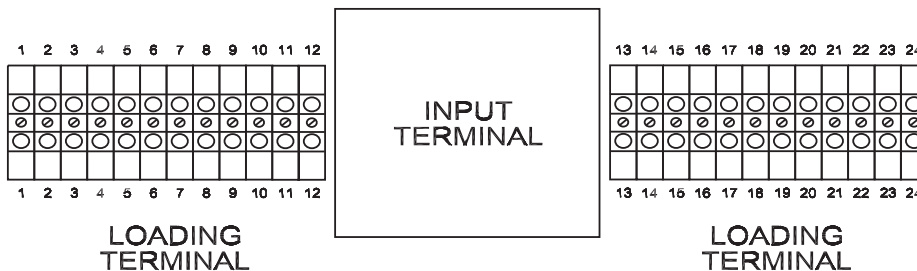
Typically wiring for both LIVE L1 and NEUTRAL N should be 25mm<sup>2</sup> for 2.5kW dimmers and 32mm<sup>2</sup> for 5kW dimmers for maximum rack load capacity. For this application use the Single Phase strapping kit. If single phase current is higher than the size of the cable, additional Live and Neutral wires are recommended to share the current flows.

---

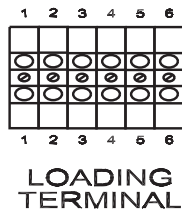
**Load Connections**

Connections for both LIVE and NEUTRAL are supplied at each dimmer output to allow two loads to be connected in parallel without the need to fit two wires in a single terminal. The terminals are located on the Power Blocks. Please refer to the Power Block Termination details in the appendix.

Load terminals allow for 2.5kW dimmers up to 4mm<sup>2</sup> stranded direct into the terminals



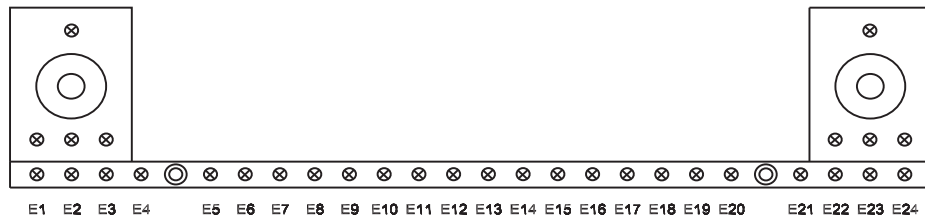
**Wallrack 24 x 2.5kW**



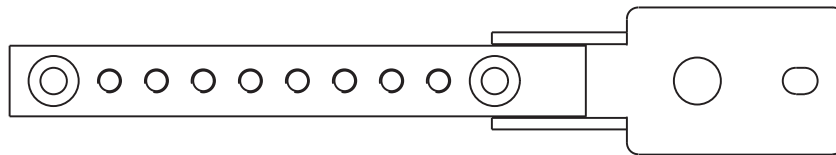
Wallrack 6 x 5kW

Wallrack 6 x 2.5kW

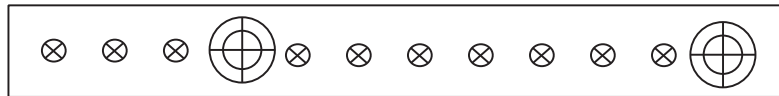
Earth connections are made directly to the Earth Busbar 24 busbar for 24 ways (12 busbar for 6 ways) clamps for up to 4mm<sup>2</sup> wires are provided in the installation kit are fitted as required.



Wallrack24x2.5kW



Wallrack 6 x 5kW



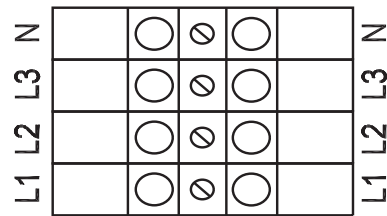
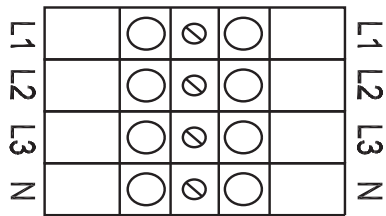
Wallrack 6 x 2.5kW

## RCD Option

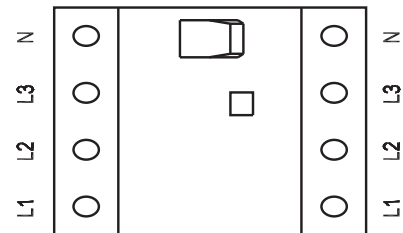
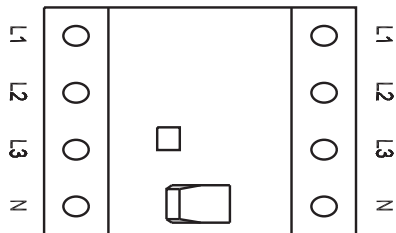
Wallrack is designed to house two 3 phase RCD (optional) if required. This option only applies when using a 3 phase supply to the dimmer rack it cannot be used on single phase racks.

To install the RCD, simply remove the terminals as shown:

### Wallrack 24 x 2.5kW

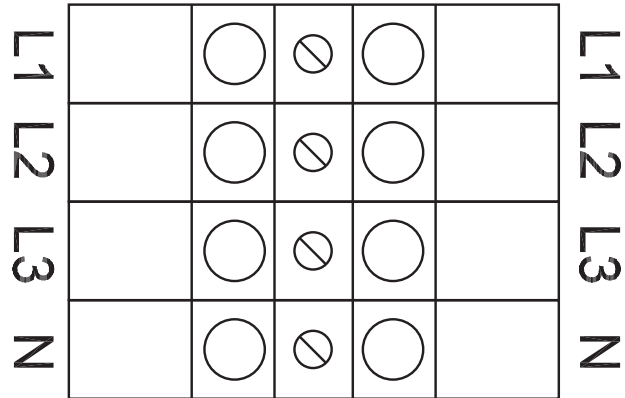


And replace with the RCDs. Reconnect the power cables as shown below.

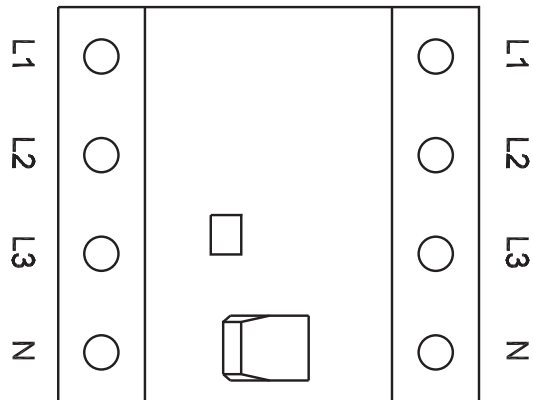


Wallrack 6 x 5kW  
Wallrack 6x2.5kW

---

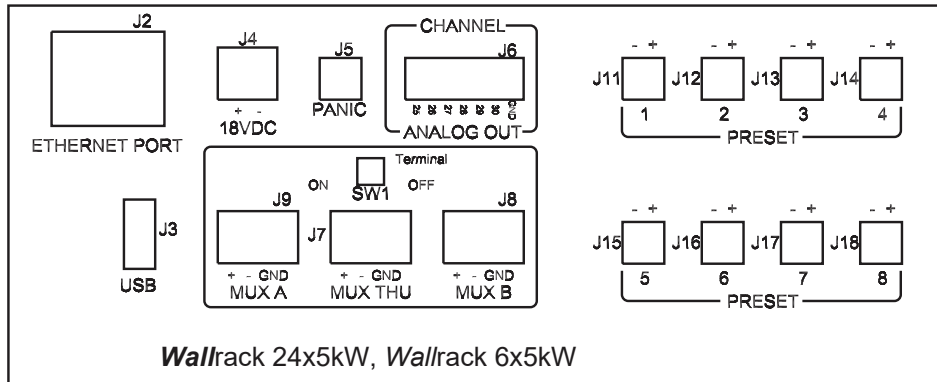


And replace with the RCDs. Reconnect the power cables as shown below.



## Control Signal Connections

Control connections are made via screw terminals on the plug-in connectors fitted to the Processor Unit PCB



J2 & J3 : Not used.

J4: 18VDC for Architectural control panels.

J5: Remote panic connection.

J6: Analogue output 0-10V control signals to drive external devices.  
(10mA maximum for each analogue channel)

J7: DMX THRU output.  
(Set up of this port refer to Page 19)

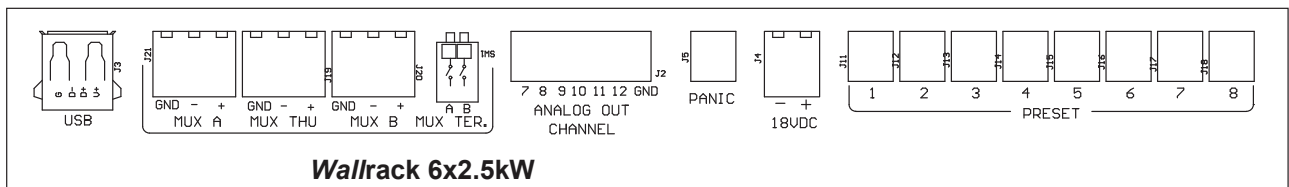
J8: DMX B input.

J9: DMX A input.

J11-J18: Preset 1-8 contact.

SW1-1: Termination for Mux B

SW1-2: Termination for Mux A



J2: Analogue output 0-10V control signals to drive external devices.  
(10mA maximum for each analogue channel)

J3: Not used.

J4: 18VDC for Architectural control panels.

J5: Remote panic connection.

J11-J18: Preset 1-8 contact.

SW1-1: Termination for Mux B

SW1-2: Termination for Mux A

J19: DMX THRU output.  
(Set up of this port refer to Page 19)

J20: DMX B input.

J21: DMX A input.

## Processor set up

The *Wallrack* offers a selection of set up and configuration features. These are accessed from the front panel using the six set up keys and LED Display. Menu and setting selections are made with the Up/Down and/or Left/Right keys. To exit any menu press the ESC escape key. OK is the confirmation key.

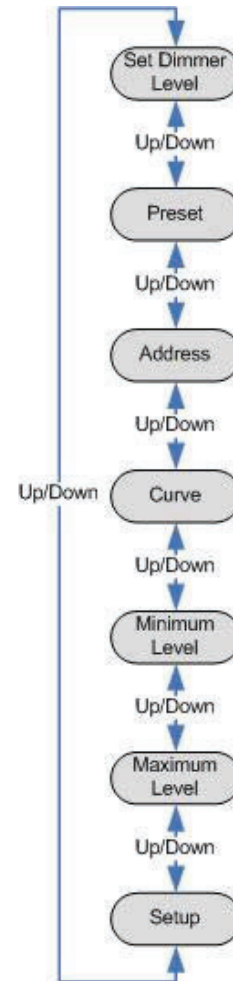
### Main Menu

Normal display will show *Wallrack*. Press Up/Down key to select:

- Set Dimmer Level (SET\_L\_)
- Preset (PRESET)
- Address (PATCH\_)
- Curve (CURVE\_)
- Minimum Level (MIN\_L\_)
- Maximum Level (MAX\_L\_)
- Set up (SETUP\_)

Press Right button to enter into any of that specific menu. OK to confirm changes and Esc to exit without any changes.

Keylock function: Lock configuration by holding [ESC] and [OK] for 3 seconds (5th digit dot is ON). Repeat to unlock.



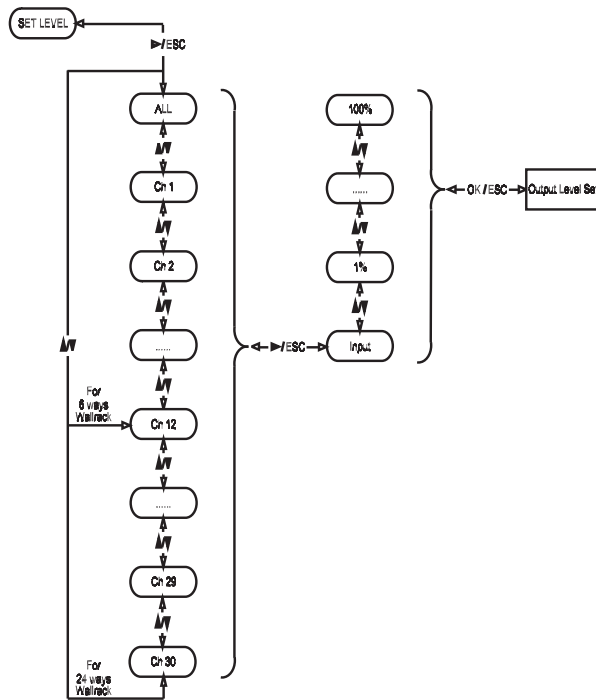
## Set Level

Press Down button once to go to Set Level menu. Press Right button to enter.

Use Up/Down buttons to select all or channels (24 ways: 1- 30, 6 ways: 1- 12). Press the Right button to set the level.

Use Up/Down buttons to select Input or an output level of 0-100%. Use the Right button to set the level. Repeat as necessary to set other channels.

Press OK to confirm changes, press OK again to save or press Esc to exit without saving any changes.



## Preset

Press Down button twice to go to the Preset menu, press Right button to enter.

Use Up/Down buttons to select either Recall, Snap shot or Edit. Use the Right button to enter.

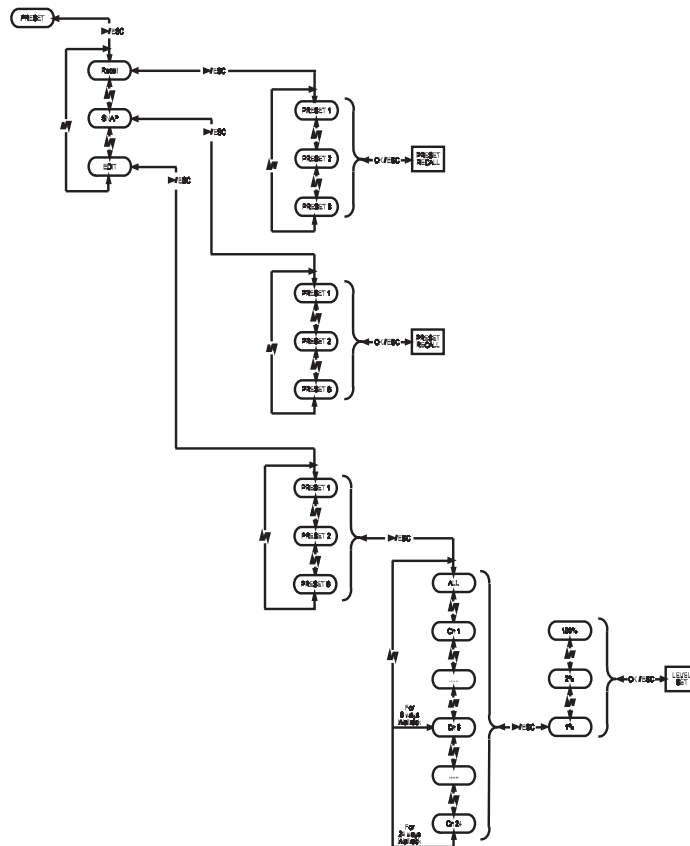
For Recall, press Right button to enter. Use Up/Down to select Preset number 1-8, press OK to confirm changes or press Esc to exit without saving any changes.

For Snap shot, press Right button to enter. Use Up/Down to select Preset number 1-8, press OK to snap shot the DMX level or press Esc to exit without saving any changes.

For Edit press, press Right button to enter. Use Up/Down to select Preset number 1-8, press Right button to enter.

Use Up/Down buttons to select Input or an output level of 0-100%. Use the Right button to set the level. Repeat as necessary to set other channels.

Press OK to confirm changes, press OK again to save or press Esc to exit without saving any changes.



## Address

Press Down button three times to get to the Address menu. Press Right button to enter.

Use Up/Down buttons to select either the Start Address or Patch. Press Right button to enter.

For Patch, use Up/Down buttons to select either Mux Patch or Analogue Patch. Press Right button to enter.

The Mux Patch allows you to patch dimmers (24 ways: 1- 24, 6 ways: 1-6). Use the Up/Down buttons to select ALL or individual dimmers. Press Right button to enter. Use Up/Down to select DMX Address 1- 512. Repeat as necessary to set the address on other dimmers.

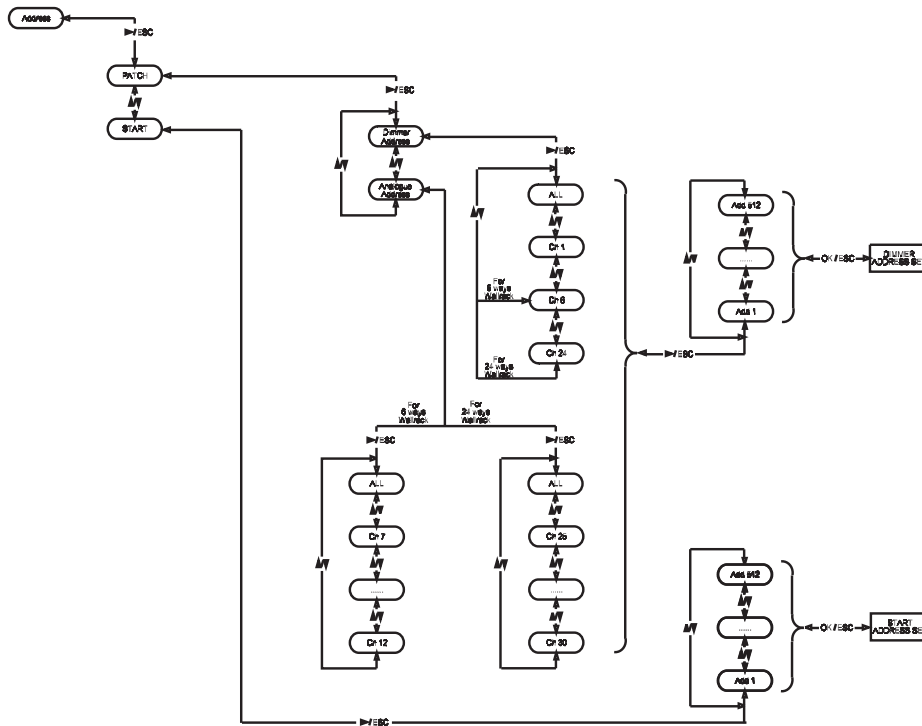
Press OK to confirm changes, press again to save or press Esc to exit without saving any changes.

The Analogue Patch allows you to patch 0-10v analogue outputs (24 ways: 25- 30, 6 ways: 7-12). Use the Up/Down buttons to select ALL or individual outputs. Press Right button to enter. Use Up/Down to select DMX Address 1- 512. Repeat as necessary to set the address on other analogue outputs.

Press OK to confirm changes, press again to save or press Esc to exit without saving any changes.

For Start Address, use Up/Down buttons to select the start DMX address of 1-512.

Press OK to confirm changes, press again to save or press Esc to exit without saving any changes.



## Curve

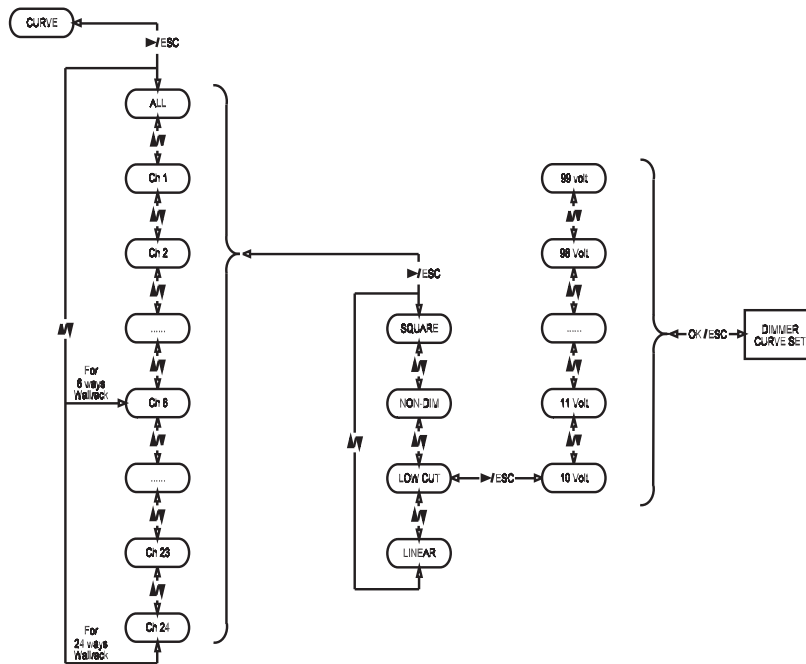
Press Down button four times to go to Curve menu. Press Right button to enter.

Use Up/Down buttons to select all or channels (24 ways: 1- 24, 6 ways: 1- 6). Press the Right button to set the curve.

Use Up/Down buttons to select Square, Nondim, Lowcut or Linear. Use the Right button to enter. Repeat as necessary to set other channels.

For Lowcut, use Up/Down buttons to select the lowcut level between 10 – 90 volt. Use the Right button to enter.

Repeat as necessary to set other channels. Press OK to confirm changes, press OK again to save or press Esc to exit without saving any changes.



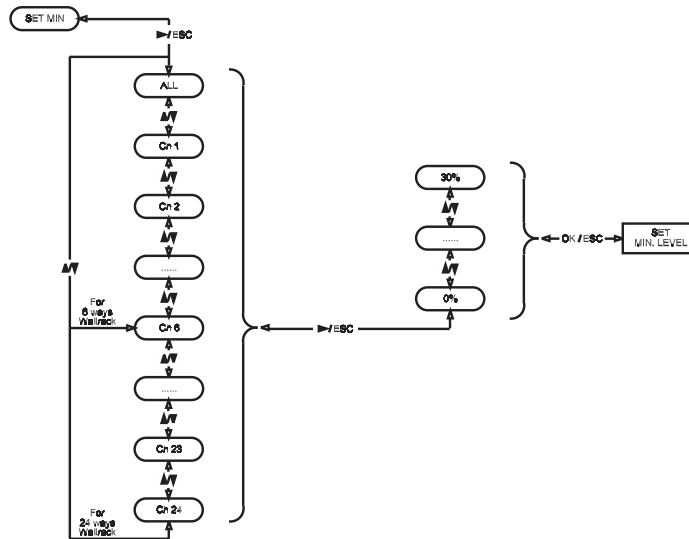
## Set minimum level

Press Down button five times to go to Minimum Level menu. Press Right button to enter.

Use Up/Down buttons to select all or channels (24 ways: 1- 24, 6 ways: 1- 6). Press the Right button to set the level.

Use Up/Down buttons to select a minimum level between 0 - 30. Use the Right button to enter. Repeat as necessary to set other channels.

Press OK to confirm changes, press OK again to save or press Esc to exit without saving any changes.



---

## Set maximum level

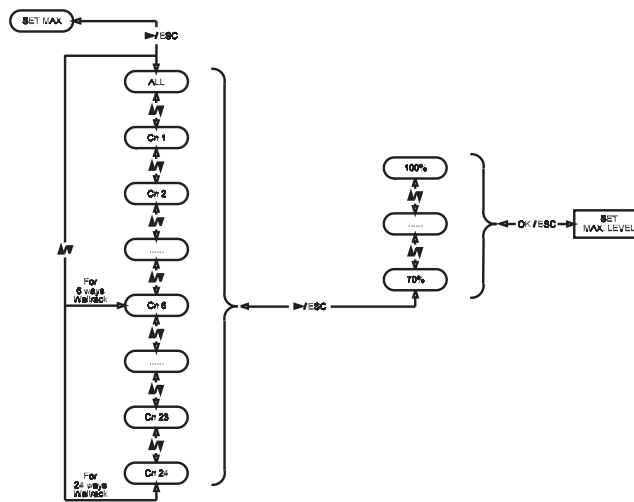
Press Down button six times to go to Maximum Level menu. Press Right button to enter.

Use Up/Down buttons to select all or channels (24 ways: 1- 24, 6 ways: 1- 6). Press the Right button to set the level.

Use Up/Down buttons to select a maximum level between 70 - 100. Use the Right button to enter. Repeat as necessary to set other channels.

Press OK to confirm changes, press OK again to save or press Esc to exit without saving any changes.

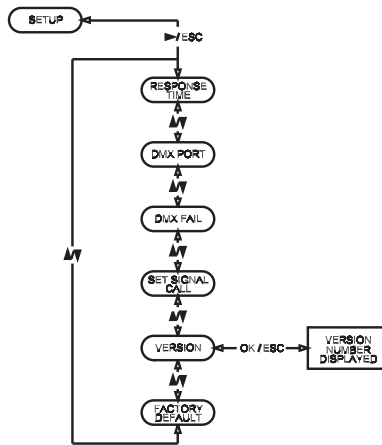
---



## Set up menu

Press Down button seven times to go to the Set Up menu. Press Right button to enter.

Use Up/Down buttons to select either Response time, DMX port, DMX fail, Set Signal Call, Display Version or Set Factory default. Press Right button to enter.

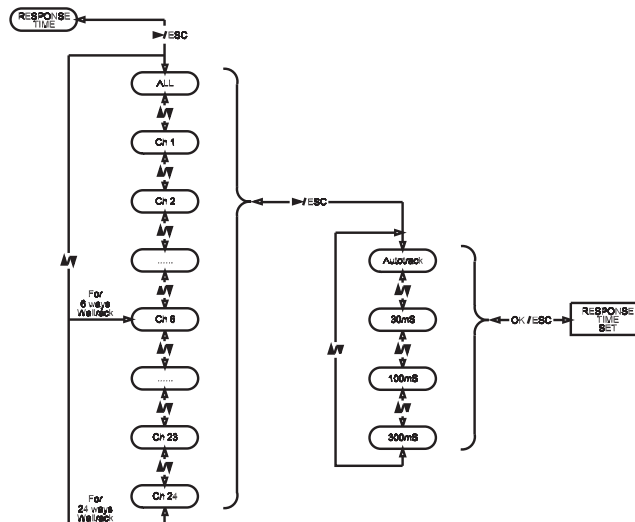


## Response Time

For Response time, use Up/Down buttons to select ALL or channels (24 ways: 1- 24, 6 ways: 1-6). Press Right button to enter.

Use Up/Down buttons to select either Autotrack, 30mS, 100mS or 300mS. Press Right button to enter. Repeat as necessary for other channels.

Press OK to confirm changes, press again to save or press Esc to exit without saving any changes.

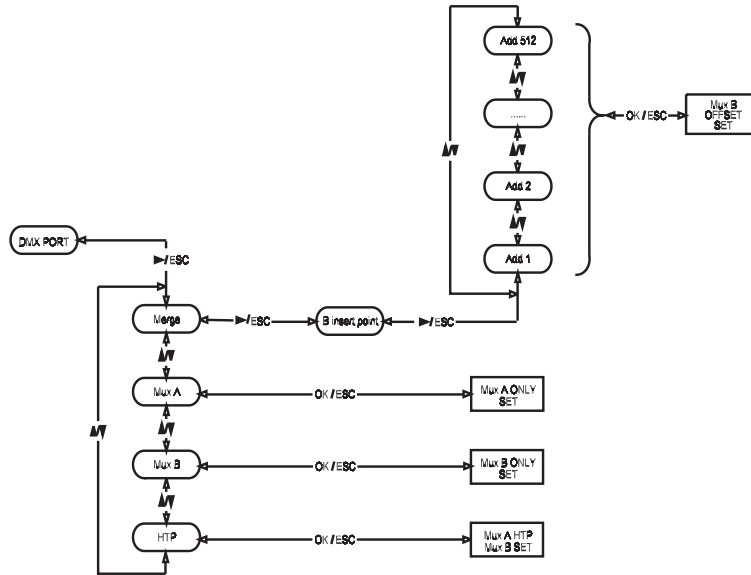


**DMX Port**

For DMX port, use Up/Down buttons to select either Merge, Mux A, Mux B or HTP. Press Right button to enter.

For the Merge option, you will also need to select the point that Mux B merges with Mux A. Press the Right button and then use the Up/Down buttons to select the first Mux B address to merge with DMX 1 of Mux A. Press Right button to enter.

Press OK to confirm changes, press again to save or press Esc to exit without saving any changes.



**DMX Fail**

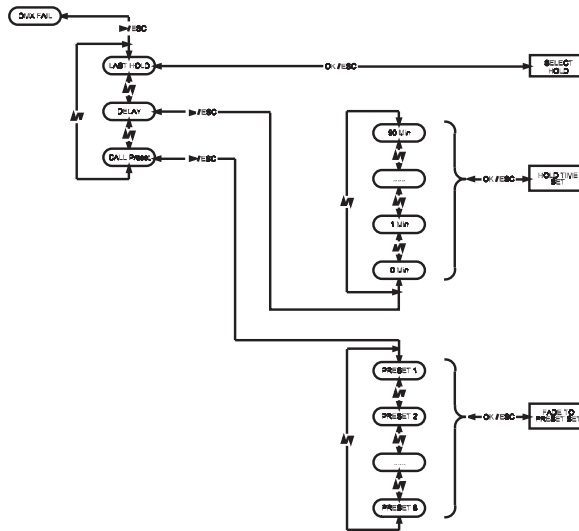
For DMX fail, use Up/Down buttons to select either Call Preset 1-8, Last Hold or Delay Fade out time. Press Right button to enter.

If you selected Call Preset, the DMX state will go to the selected preset when the DMX input fails. Use Up/Down buttons to select preset 1-8. Press Right button to enter.

If you selected Last Hold, the last DMX state will be held in the event of a DMX failure.

If you selected Delay Fade out time, the DMX state will be held for the selected period of time before fading to zero. Use Up/Down buttons to select the fade out time of between 0-90 minutes. Press Right button to enter.

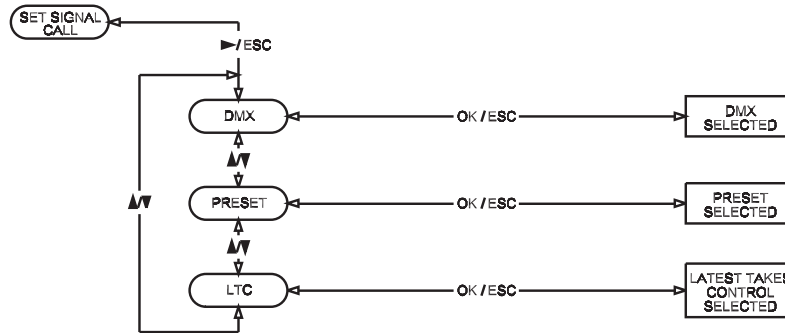
Press OK to confirm changes, press again to save or press Esc to exit without saving any changes.



**Set Signal Call**

To set the Signal mode, use Up/Down buttons to select either DMX, Preset or Latest Takes Control. Press Right button to enter.

Press OK to confirm changes, press again to save or press Esc to exit without saving any changes.



**Version Number**

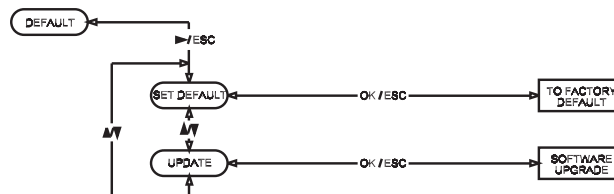
To view the version number, press Right button and the display will show the software version number.

**Set Factory Defaults**

To set the factory defaults, use Up/Down buttons to select either Default or Update Firmware. Press Right button to enter.

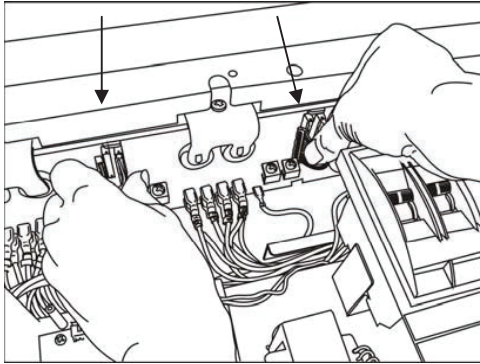
Selecting Default, press OK again to confirm the re-setting of factory default.

Selecting Update Firmware, press OK again to confirm and the firmware will automatically upload from the upload port.

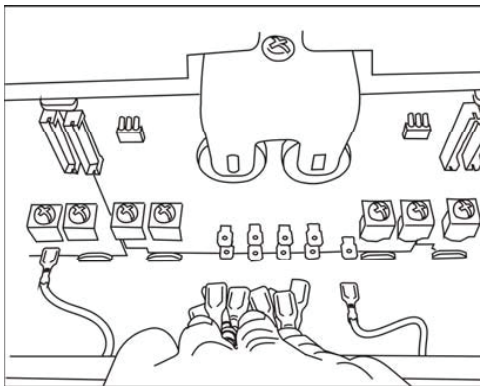


## Triac Replacement

---

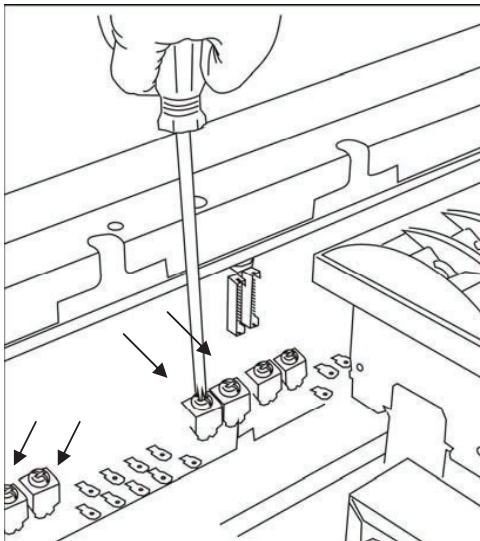


1. Disconnect the two flat cables.

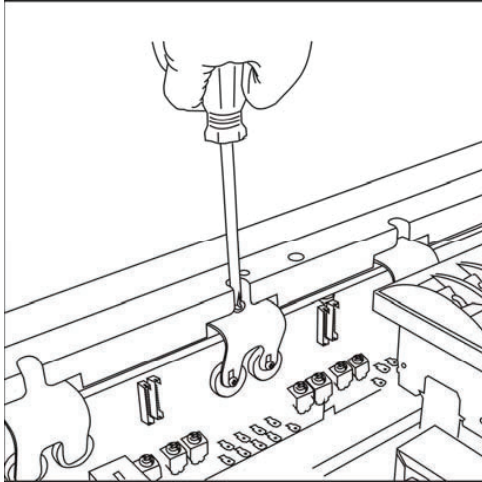


2. Unplug the 2 red, 2 brown, 4 blue and the green connectors.

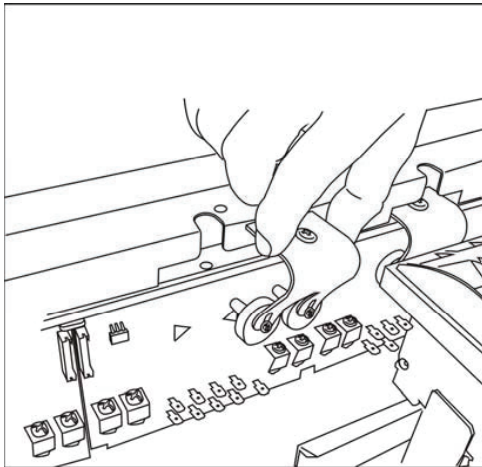
(Please mark these cables before unplugging them as you need to replace them)



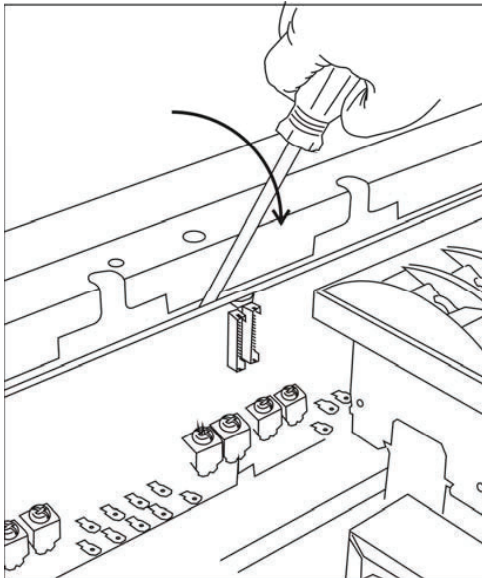
3. Unscrew the 4 choke connections.



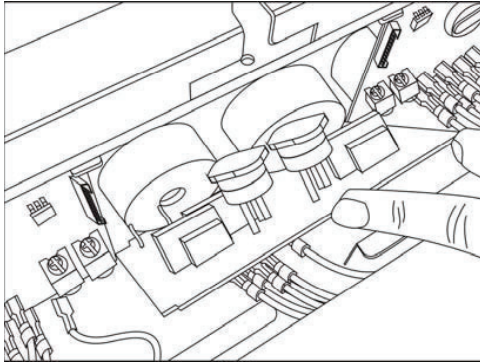
**4. Unscrew the PCB clip.**



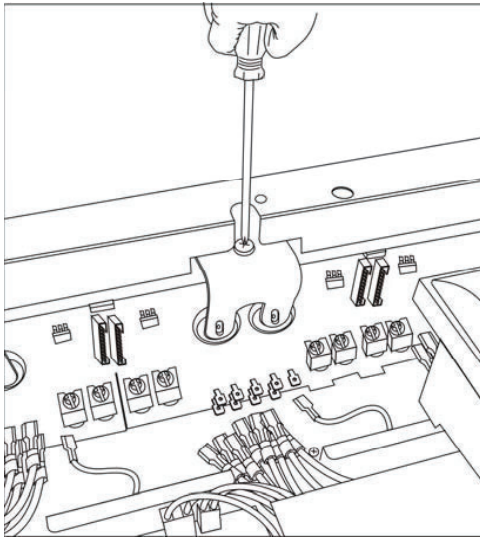
**5. Take out the clip as shown.**



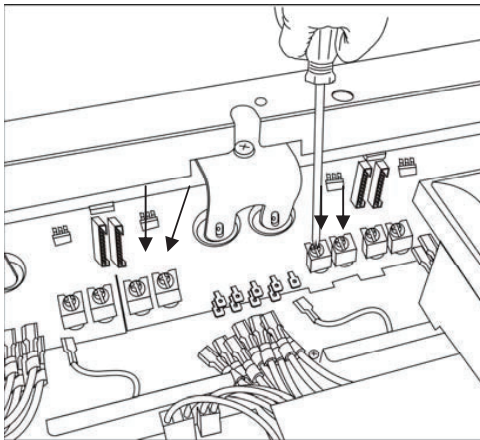
**6. Click the PCB out of the slot.**



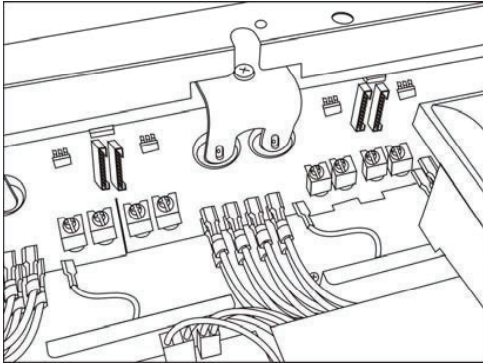
**7. Replace the Triac.**



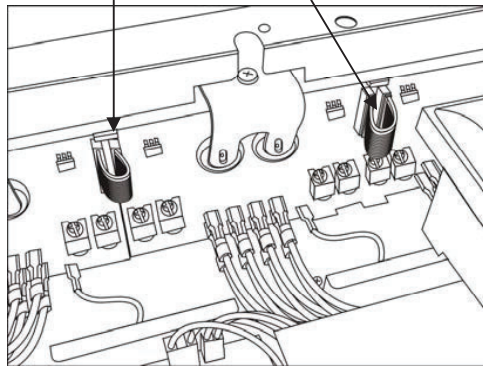
**8. Screw back the clip.**



**9. Tighten the choke connections.**



**10. Plug the wires back into their original positions. (See note 2)**



**11. Connect the flat cables.**

# TECHNICAL SUPPORT

## GLOBAL 24HR TECHNICAL SUPPORT:

Call: +1 214 647 7880

[entertainment.service@signify.com](mailto:entertainment.service@signify.com)

## NORTH AMERICA SUPPORT:

Call: 877-VARI-LITE (877-827-4583)

[entertainment.service@signify.com](mailto:entertainment.service@signify.com)

## EUROPEAN CUSTOMER SERVICE CENTER:

Call: +31 (0) 543 542 531

[entertainment.europe@signify.com](mailto:entertainment.europe@signify.com)

© 2023 Signify Holding. All rights reserved. All trademarks are owned by Signify Holding or their respective owners. The information provided herein is subject to change, without notice. Signify does not give any representation or warranty as to the accuracy or completeness of the information included herein and shall not be liable for any action in reliance thereon. The information presented in this document is not intended as any commercial offer and does not form part of any quotation or contract, unless otherwise agreed by Signify. Data subject to change.